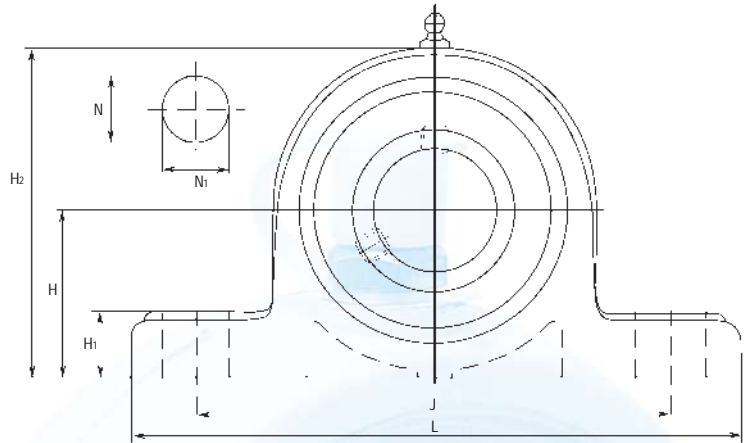
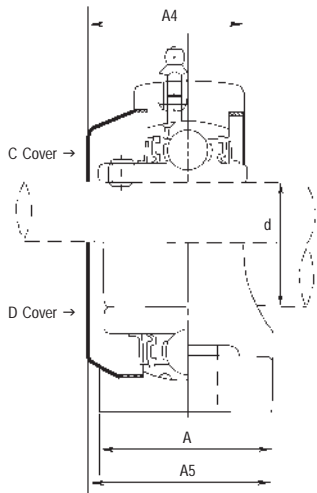


THERMO-PLASTIC HOUSING PILLOW BLOCK UNIT

SPUCP2 Series



STAINLESS STEEL SERIES



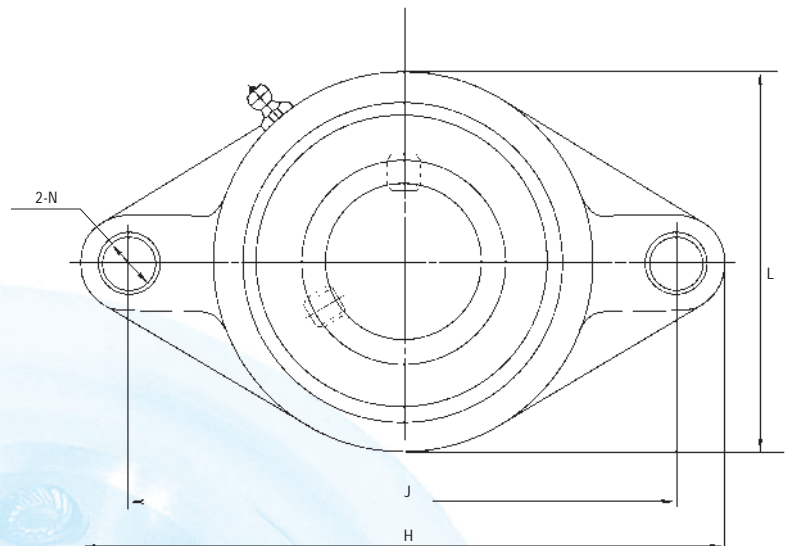
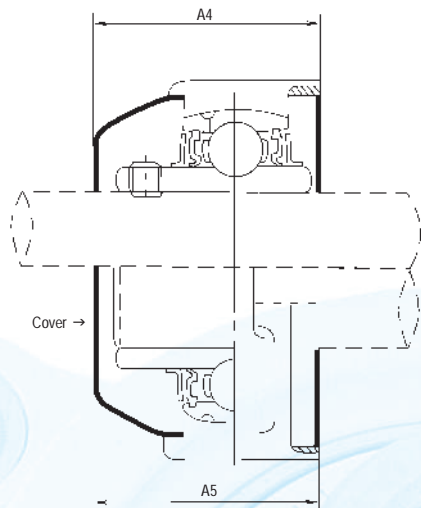
UNIT NO	SHAFT DIA, d		DIMENSIONS (mm)											BOLT SIZE	BEARING NO	HOUSING NO	WEIGHT (kg)	
	mm	inch	H	L	J	A	N	N ₁	H ₁	H ₂	A ₁	A ₂	B					S
SPUCP204-12 SPUCP204	20	3/4"	33.3	127	95	39.0	13	19	16	84.1	45.0	51.0	31.0	12.7	M10	SSUC204 SSUC204-12	SPP204	0.275
SPUCP205-14 SPUCP205-15 SPUCP205	25	7/8" 1.5/16"	36.5	140	105	39.0	13	19	16	70.0	47.8	52.4	34.1	14.3	M10	SSUC205-14 SSUC205-15 SSUC205	SPP205	0.330
SPUCP206-16 SPUCP206-18 SPUCP206	30	1" 1-1/8"	42.9	160	121	47.1	15	21	17	84.0	56.5	64.3	38.1	15.9	M12	SSUC206-16 SSUC206-18 SSUC206	SPP206	0.515
SPUCP207-19 SPUCP207-20 SPUCP207-21 SPUCP207-22 SPUCP207	35	1-5/16" 1-3/4" 1-5/16" 1-3/8"	47.6	167	127	48.0	17	21	20	94.0	59.2	66.0	42.9	17.5	M14	SSUC207-19 SSUC207-20 SSUC207-21 SSUC207-22 SSUC207	SPP207	0.675
SPUCP208-23 SPUCP208-24 SPUCP208-25 SPUCP208	40	1-7/8" 1-1/2" 1-9/16"	49.2	184	137	55.0	17	22	20	101.2	66.8	79.8	49.2	19.0	M14	SSUC208-23 SSUC208-24 SSUC208-25 SSUC208	SPP208	0.915
SPUCP209-26 SPUCP209-27 SPUCP209-28 SPUCP209	45	1-5/8" 1-11/16" 1-3/4"	54.0	190	146	55.0	17	25	22	109.0	71.0	85.0	49.2	19.0	M14	SSUC209-26 SSUC209-27 SSUC209-28 SSUC209	SPP209	1.000
SPUCP210-30 SPUCP210-31 SPUCP210	50	1-7/8" 1-15/16"	57.2	206	159	61.0	20	22	23	114.0	76.0	92.0	51.6	19.0	M16	SSUC210-30 SSUC210-31 SSUC210	SPP210	1.180
SPUCP211-32 SPUCP211-34 SPUCP211	55	2" 2-1/8"	63.5	219	171	61.0	20	25	25	127.0	83.0	105.0	55.6	22.2	M16	SSUC211-32 SSUC211-34 SSUC211	SPP211	1.470
SPUCP212-35 SPUCP212-36 SPUCP212 SPUCP212-38 SPUCP212-39	60	2-3/16" 2-3/4" 2-3/8" 2-7/16"	69.8	238	184	68.0	20	25	25	140.0	91.0	112.0	65.1	25.4	M16	SSUC212-35 SSUC212-36 SSUC212 SSUC212-38 SSUC212-39	SPP212	1.980

Add C for both side open cover & CD for one side open & one side close cover

THERMO-PLASTIC HOUSING FLANGE UNIT

SPUCFL2 Series

STAINLESS STEEL SERIES



UNIT NO	SHAFT DIA. d		DIMENSIONS (mm)											BOLT SIZE	BEARING NO	HOUSING NO	WEIGHT (kg)
	mm	inch	H	J	A	L	A ₁	A ₂	A ₃	A _{4/A_n}	N	B	S				
SPUCFL204-12	20	3/4"	113	90			12	15	33.3	50	12	31.0	12.7	M10	SSUC204	SPFL204	0.222
SPUCFL204		SSUC204-12															
SPUCFL205-14		SSUC205-14															
SPUCFL205-15	25	7/8"	130	99			14	16	35.8	53	16	34.1	14.3	M14	SSUC205-15	SPFL205	0.295
SPUCFL205		SSUC205															
SPUCFL205-16		SSUC205-16															
SPUCFL206-18	30	1-5/16"	117				14	18	40.2	61	16	38.1	15.9	M14	SSUC206-16	SPFL206	0.445
SPUCFL206		SSUC206-16															
SPUCFL206-19		SSUC206-18															
SPUCFL207-20	35	1-3/8"	161	130			16	19	44.4	66	16	42.9	17.5	M14	SSUC206	SPFL207	0.635
SPUCFL207		SSUC207															
SPUCFL207-23		SSUC207-20															
SPUCFL208-24	40	1-5/8"	175	144			16	21	51.2	74	16	49.2	19.0	M14	SSUC207-21	SPFL208	0.855
SPUCFL208-25		SSUC207-22															
SPUCFL208		SSUC208-24															
SPUCFL209-26	45	1-7/8"	180	148	38.0	112	16	22	52.2	82	16	49.2	19.0	M14	SSUC208-25	SPFL209	0.970
SPUCFL209-27		SSUC208															
SPUCFL209-28		SSUC209-26															
SPUCFL210-30	50	1-11/16"	190	157	40.0	117	16	22	54.6	89	18	51.6	19.0	M16	SSUC209-28	SPFL210	1.170
SPUCFL210		SSUC209															
SPUCFL211-32		SSUC210-30															
SPUCFL211-34	55	2"	217	184	43.0	134	18	25	58.4	95	18	55.6	22.2	M16	SSUC210-31	SPFL211	1.680
SPUCFL211		SSUC210															
SPUCFL211-35		SSUC211-32															
SPUCFL212-36	60	2-1/8"	235	202	48.0	142	18	29	68.7	103	18	65.1	25.4	M16	SSUC211-34	SPFL212	2.200
SPUCFL212		SSUC211															
SPUCFL212-38		SSUC211-35															
SPUCFL212-39		2-1/4"													SSUC212-36		
		2-7/8"													SSUC212		
		2-11/8"													SSUC212-38		
															SSUC212-39		

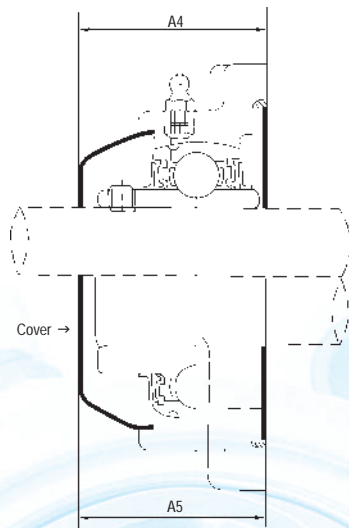
Add C for open cover & D for close cover

THERMO-PLASTIC HOUSING FLANGE UNIT

SPUCF2 Series



STAINLESS STEEL SERIES



UNIT NO	SHAFT DIA, d		DIMENSIONS (mm)											BOLT SIZE	BEARING NO	HOUSING NO	WEIGHT (kg)
	mm	inch	H	J	A	A ₁	A ₂	A ₃	A ₃ /A ₄	N	B	S					
SPUCF204-12	20	3/4"	86	64	25.5	12	15	33.3	50	11	31.0	12.7	M10	SSUC204	SPF204	0.275	
SPUCF204		SSUC204-12															
SPUCF205-14		SSUC205-14															
SPUCF205-15	25	1.616"	95	70	27.0	12	16	35.8	53	11	34.1	14.3	M10	SSUC205	SPF205	0.330	
SPUCF205		SSUC205-15															
SPUCF205-16		SSUC205-16															
SPUCF206-18	30	1.16"	108	83	31.0	12	18	40.2	61	11	38.1	15.9	M10	SSUC206	SPF206	0.515	
SPUCF206		SSUC206-18															
SPUCF206-19		SSUC206-19															
SPUCF207-20	35	1.316"	117	92	34.0	14	19	44.4	66	13	42.9	17.5	M12	SSUC207	SPF207	0.675	
SPUCF207		SSUC207-20															
SPUCF207-21		SSUC207-21															
SPUCF207-22	40	1.516"	130	102	36.0	16	21	51.2	74	15	49.2	19.0	M14	SSUC207-22	SPF208	0.915	
SPUCF207		SSUC207-23															
SPUCF207-23		SSUC207-24															
SPUCF208-24	45	1.716"	137	105	38.0	16	22	52.2	82	15	49.2	19.0	M14	SSUC208	SPF209	1.000	
SPUCF208-24		SSUC208-24															
SPUCF208-25		SSUC208-25															
SPUCF209	50	1.916"	143	111	40.0	16	22	54.6	89	15	51.6	19.0	M14	SSUC209	SPF210	1.180	
SPUCF209-26		SSUC209-26															
SPUCF209-27		SSUC209-27															
SPUCF210-30	55	2.116"	162	130	43.0	19	25	58.4	95	17	55.6	22.2	M16	SSUC210	SPF211	1.470	
SPUCF210-30		SSUC210-30															
SPUCF210-31		SSUC210-31															
SPUCF211	60	2.316"	175	143	48.0	19	29	69.1	103	17	65.1	25.4	M16	SSUC211	SPF212	1.980	
SPUCF211-32		SSUC211-32															
SPUCF211-34		SSUC211-34															
SPUCF212-38	60	2.516"	175	143	48.0	19	29	69.1	103	17	65.1	25.4	M16	SSUC212	SPF212	1.980	
SPUCF212-38		SSUC212-38															
SPUCF212-39		SSUC212-39															

Add C for open cover & D for close cover