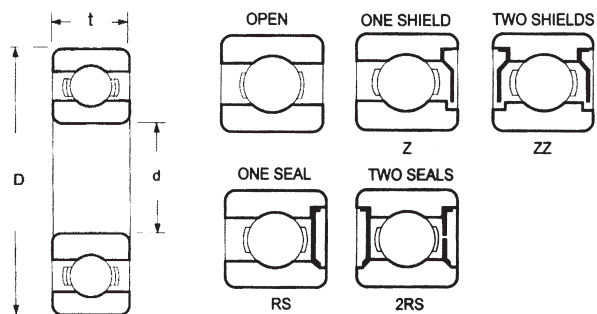


Deep Groove Ball Bearings

1600 Inch Series



Ball / Roller Bearing

Bearing Number	Dimensions (inch)						Basic Load Ratings (lbs)		Weight kg
	Bore		OD		Width		Cr	Cor	
	Frac	Inch	Frac	Inch	Frac	Inch			
1601	3/16	0.1875	11/16	0.6875	1/4	0.2500	294	146	0.004
1602	1/4	0.2500	11/16	0.6875	1/4	0.2500	294	146	0.006
1603	5/16	0.3125	7/8	0.8750	9/32	0.2812	464	228	0.010
1604	3/8	0.3750	7/8	0.8750	9/32	0.2812	464	228	0.009
1605	5/16	0.3125	29/32	0.9062	5/16	0.3125	464	228	0.017
1606	3/8	0.3750	29/32	0.9062	5/16	0.3125	464	228	0.022
1607	7/16	0.4375	29/32	0.9062	5/16	0.3125	400	229	0.022
1614	3/8	0.3750	1-1/8	1.1250	3/8	0.3750	400	229	0.035
1615	7/16	0.4375	1/1/8	1.1250	3/8	0.3750	400	229	0.032
1616	1/2	0.5000	1-1/8	1.1250	3/8	0.3750	400	229	0.030
1620	7/16	0.4375	1-3/8	1.3750	7/16	0.4375	600	354	0.450
1621	1/2	0.5000	1-3/8	1.3750	7/16	0.4375	600	354	0.048
1622	9/16	0.5625	1-3/8	1.3750	7/16	0.4375	600	354	0.046
1623	5/8	0.6250	1-3/8	1.3750	7/16	0.4375	600	354	0.040
1628	5/8	0.6250	1-5/8	1.6250	1/2	0.5000	738	454	0.072
1630	3/4	0.7500	1-5/8	1.6250	1/2	0.5000	738	454	0.065
1633	5/8	0.6250	1-3/4	1.7500	1/2	0.5000	738	454	0.092
1635	3/4	0.7500	1-3/4	1.7500	1/2	0.5000	738	454	0.085
1638	3/4	0.7500	2	2.0000	9/16	0.5625	1100	709	0.120
1640	7/8	0.8750	2	2.0000	9/16	0.5625	1100	709	0.112
1641	1	1.0000	2	2.0000	9/16	0.5625	1100	709	0.100
1652	1-1/8	1.1250	2-1/2	2.5000	5/8	0.6250	1306	857	0.210
1654	1-1/4	1.1250	2-1/2	2.5000	5/8	0.6250	1306	857	0.190