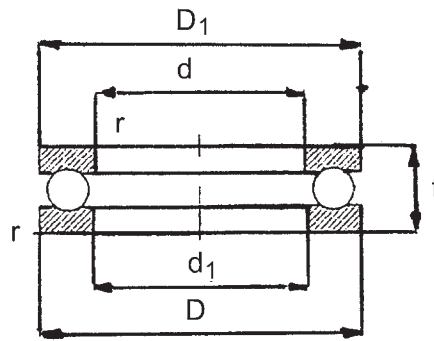


FBJ®

51100 Series



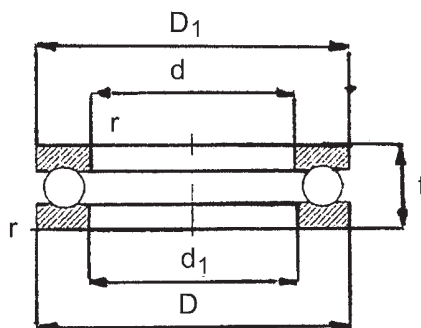
Thrust Ball Bearings

Ball / Roller Bearing

Bearing Number	Dimensions (mm)						Basic Load Ratings (N)		Limiting Speeds (rev/min)		Weight (kg)
	d	D	t	d ₁	D ₁	r	C _r	C _{or}	Grease	Oil	
51100	10	24	9	11	24	0.3	9950	14000	7000	9500	0.02
51101	12	26	9	13	26	0.3	10400	15300	6700	9000	0.022
51102	15	28	9	16	28	0.3	9360	14000	6300	8500	0.023
51103	17	30	9	18	30	0.3	9750	15300	6300	8500	0.025
51104	20	35	10	20	35	0.3	12700	20800	5600	7500	0.038
51105	25	42	11	26	42	0.6	15900	29000	4800	6300	0.056
51106	30	47	11	32	47	0.6	16800	33500	4500	6000	0.063
51107	35	52	12	37	52	0.6	17400	37500	4300	5600	0.08
51108	40	60	13	42	60	0.6	23400	50000	3800	5000	0.12
51109	45	65	14	47	65	0.6	24200	57000	3400	4500	0.14
51110	50	70	14	52	70	0.6	25500	63000	3200	4300	0.16
51111	55	78	16	57	78	0.6	30700	78000	2800	3800	0.23
51112	60	85	17	62	85	1.0	35800	90000	2600	3600	0.2
51113	65	90	18	67	90	1.0	37100	98000	2400	3400	0.33
51114	70	95	18	72	95	1.0	37700	104000	2400	3400	0.35
51115	75	100	19	77	100	1.0	44200	137000	2200	3200	0.4
51116	80	105	19	82	105	1.0	44900	140000	2000	3000	0.42
51117	85	110	19	87	110	1.0	46200	150000	2000	3000	0.44
51118	90	120	22	92	120	1.0	59200	190000	1800	2600	0.67
51120	100	135	25	102	135	1.0	85200	270000	1700	2400	0.97
51122	110	145	25	112	145	1.0	87100	290000	1600	2200	1.05
51124	120	155	25	122	155	1.0	88400	310000	1600	2200	1.15
51126	130	170	30	132	170	1.0	111000	390000	1400	1900	1.85
51128	140	180	31	142	178	1.0	111000	400000	1300	1800	2.05
51130	150	190	31	152	188	1.0	111000	400000	1200	1700	2.2

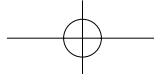
Thrust Ball Bearings

51200 Series



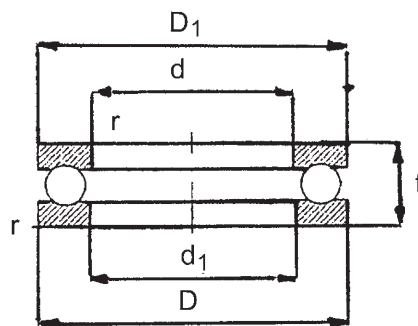
Ball / Roller Bearing

Bearing Number	Dimensions (mm)						Basic Load Ratings (N)		Limiting Speeds (rev/min)		Weight (kg)
	d	D	t	d ₁	D ₁	r	C _r	C _{or}	Grease	Oil	
51200	10	26	11	12	26	0.6	12700	17000	6000	8000	0.031
51201	12	28	11	14	28	0.6	12300	19000	6000	8000	0.034
51202	15	32	12	17	32	0.6	16500	25000	5300	7000	0.046
51203	17	35	12	19	35	0.6	17200	27500	5000	6700	0.053
51204	20	40	14	22	40	0.6	22500	37500	4500	6000	0.083
51205	25	47	15	27	47	0.6	27600	50000	4000	5300	0.110
51206	30	52	16	32	52	0.6	25500	47500	3600	4800	0.130
51207	35	62	18	37	62	1.0	35100	67000	3000	4000	0.220
51208	40	68	19	42	68	1.0	46800	98000	2800	3800	0.280
51209	45	73	20	47	73	1.0	3900	80000	2600	3600	0.300
51210	50	78	22	52	78	1.0	49400	106000	2400	3400	0.370
51211	55	90	25	57	90	1.0	61800	134000	1900	2800	0.590
51212	60	95	26	62	95	1.0	62400	140000	1900	2800	0.650
51213	65	100	27	67	100	1.0	63700	150000	1800	2600	0.780
51214	70	105	27	72	105	1.0	65000	160000	1800	2600	0.790
51215	75	110	27	77	110	1.0	67600	170000	1700	2400	0.830
51216	80	115	28	82	115	1.0	76100	190000	1700	2400	0.910
51217	85	125	31	88	125	1.0	97500	250000	1600	2200	1.200
51218	90	135	35	93	135	1.1	119000	300000	1500	2000	1.700
51220	100	150	38	103	150	1.1	124000	320000	1300	1800	2.200
51222	110	150	38	113	160	1.1	130000	360000	1200	1700	2.400
51224	120	170	39	123	170	1.1	140000	400000	1100	1600	2.650
51226	130	190	45	133	187	1.5	186000	540000	950	1400	4.000
51228	140	200	46	143	197	1.5	190000	570000	950	1400	4.350
51230	150	215	50	153	212	1.5	238000	730000	900	1300	6.100



FBJ®

51300 Series



Thrust Ball Bearings

Ball / Roller Bearing

Bearing Number	Dimensions (mm)						Basic Load Ratings (N)		Limiting Speeds (rev/min)		Weight kg
	d	D	t	d ₁	D ₁	r	Cr	Cor	Grease	Oil	
51305	25	52	18	27	52	1.0	34500	55000	3400	4500	0.17
51306	30	60	21	32	60	1.0	37700	65500	2800	3800	0.26
51307	35	68	24	37	68	1.0	49400	88000	2400	3400	0.38
51308	40	78	26	42	78	1.0	61800	112000	2000	3000	0.53
51309	45	85	28	47	85	1.0	76100	140000	1900	2800	0.66
51310	50	95	31	52	95	1.1	88400	173000	18000	2600	0.94
51311	55	105	35	57	105	1.1	104000	208000	1600	2200	1.30
51312	60	110	35	62	110	1.1	101000	208000	1600	2200	1.35
51313	65	115	36	67	115	1.1	106000	220000	1500	2000	1.50
51314	70	125	40	72	125	1.1	135000	300000	1400	1900	2.00
51315	75	135	44	77	135	1.5	163000	360000	1200	1700	2.60
51316	80	140	44	82	140	1.5	159000	360000	1200	1700	2.70
51317	85	150	49	88	150	1.5	190000	425000	1100	1600	3.55
51318	90	155	50	93	155	1.5	195000	465000	1000	1500	3.80
51320	100	170	55	103	170	1.5	229000	560000	950	1400	4.95
51322	110	190	63	113	187	2.0	276000	720000	850	1200	7.85
51324	120	210	70	123	205	2.1	325000	915000	800	1100	11.00

51400 Series

Thrust Ball Bearings

51405	25	60	24	27	60	1.0	55300	90000	2600	3600	0.34
51406	30	70	28	32	70	1.0	72800	125000	2000	3000	0.52
51407	35	80	32	37	80	1.0	87100	156000	1800	2600	0.76
51408	40	90	36	42	90	1.1	112000	204000	1700	2400	1.10
51409	45	100	39	47	100	1.1	130000	240000	1600	2200	1.40
51410	50	110	43	52	110	1.5	159000	310000	1500	2000	2.00
51411	55	120	48	57	120	1.5	178000	360000	1300	1800	2.55
51412	60	130	51	62	130	1.5	199000	400000	1100	1600	3.10
51413	65	140	56	68	140	2.0	215000	448000	1000	1500	4.67
51414	70	150	60	73	150	2.0	235000	499000	980	1400	5.72
51415	75	160	65	78	160	2.0	251000	560000	900	1300	6.75